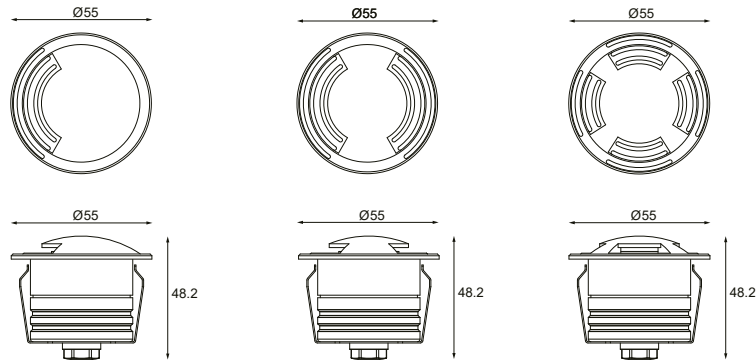


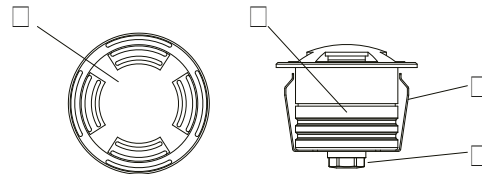
1. Outline Dimension

Unit: mm



2. Bom

- Front cover
- Housing
- Clip spring
- Cable gland

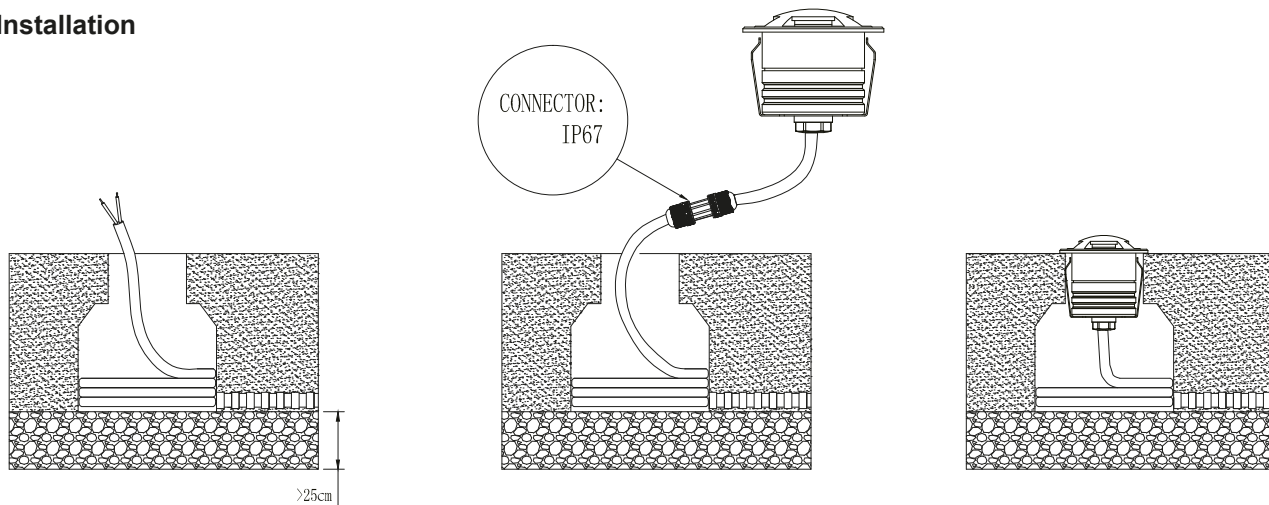


Note: The drawing was show a general introduction to this description. When the discrepancy between the actual product and drawing, please all to the actual products.

3. Features

- This product is a high power LED inground light.
- The standard color temperature of warm white is in range 2700-3200k.
- The standard input voltage is 24VDC. When you install the product, please check the date label on the product and the wire.
- When using low voltage light fixture, please prepare powerful power supply or 24VDC output transformer. Total demand of power is according to total power consumption + total power of cable impedance consumption. When installation, always work with technician or install by technician.
- The main material of this product is aluminum, surface coating is only suitable for natural environment, do not install this product near the sea water or in the environment which is high salty or hight acid.
- This is IP67 grade product.
- Applicable environment temperature: $-20^{\circ}\text{C} < \text{fixture} < +40^{\circ}\text{C}$.

4. Installation

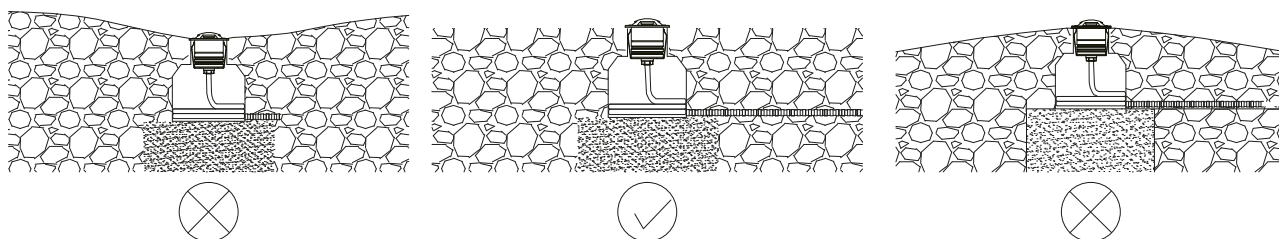


Install the sleeves on the ground, the top side should be on the same level with the ground surface, cable needs to go through the sleeve.

Connect the cable with the light fixture. *keep enough length for the maintain.

Put the light fixture into the sleeve.

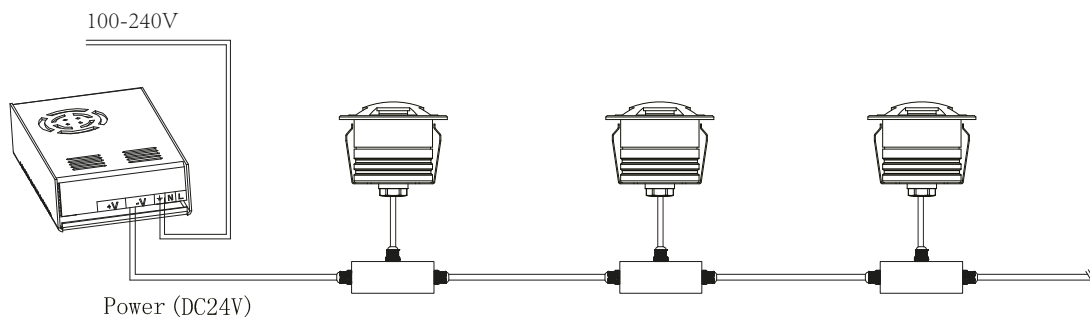
Note: The thickness of the gravel must be greater than 25cm.



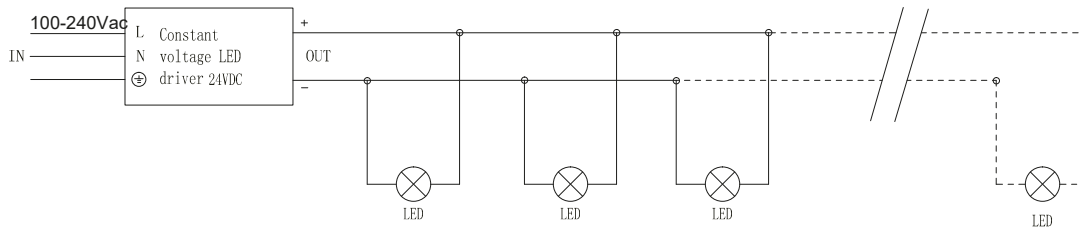
5. Wiring Diagram

5.1: Low voltage single color fitting: use external power supply, the input voltage of power supply must be consistent with the requested input voltage of the fitting, as the fitting is constant voltage input type. The power consumption of power supply must be decided by installer according to the requirements from the site.

Example of wiring:



24VDC:circuit of product.



Explanations:the transmiss circuit of the whole group depends on the circuit of junction boxes. the max. current depends on the max. load of power cable between the junction boxer,but it is not related to the max. load current of power cable of the fitting.The outer diameter of cable between the junction boxes is limited by the max. outer diameter of speedy plug,the max. allowed outer diameter is 10mm.

6. Specifications

6.1 Material specifications:

HOUSING:	12# Die-casting dark grey powder coated aluminum T=60-80µm.Adhesion of ISO class 1/ASTM class 4B
FRONT COVER:	Hard chromeplated stainless steel SUS 316#
LOADING CAPACITY:	>2000kg
GASKET:	Molding shaped silicone seal
OPERATING TEMPERATURE:	-20°C~40°C
POWER CABLE:	H05RN-F 2X1.0mm ² L=0.5m
MOUNTING SLEEVE:	062# ABS plastic
DIMMABLE SUPPORT:	Triac PWM 1-10V Dali

6.2 Electrical parameters:

Item No.	Light source	Input voltage (V)	Typical operating current(mA)	Typical Comsumption(w)	Typical luminance(1m)	IK rate
1E2XA0154	1×2W	24V DC	24V = 110	24V = 2.6	4	10
2E2XA0154	1×2W	24V DC	24V = 110	24V = 2.6	7	10
4E2XA0154	1×2W	24V DC	24V = 110	24V = 2.6	8.38	10